

VIJAY D. GAIKWAD
Engineers & Contractors
Karad, Dist. Satara
Cell no. 9423868041

VIJAYKUMAR PATIL
B. E. (CIVIL), MIE (INDIA), FIV
CHARTETED ENGINEER
13, Gajanan Nagari, Gorakhpur
Pirwadi, Satara.
Cell no. 9422039823

**Proposed Estimate for Seed Processing Unit for - VL & Sons Agro Food Producer Company Ltd. At
835A, Near Undale High School, Undale, Tal. Karad. Dist. Satara.**

Quantity	Item	Rate	Unit	Amount
	Site Cleaning		L.S.	10000.00
104.47 Cum	Item No.1:- Excavation for foundation in earth, soil of all types, sand, gravel and Soft oft muram, including removing the excavated material upto a distance of 50 mtr beyond the building area p stacking & spreading as directed, dewatering, preparing the the bed for for foundation and necessary back filling, raming watering including shoring & strutting etc complete. SSR Sr.No. 720 I No. 21.03 BDA 1	306.00	cum	31967.82
378.47	Item No. 2 Filling in plinth and floors with Contractors soil sand or muram in 15 cm to 20 cm layers including watering and compaction complete. SSR Sr.No. 720 I No. 21.36 BDA 10	210.00	Cum	79478.70
52.22 Cum	Item No.3 : Providing and laying in situ cement concrete in 1:4:8 of trap metal for foundation and bedding including bailing out water, form work compacting and curing complete. SSR Sr.No. 474 I, No. 14.34 BR-45	4824.00	Cum	251909.28
123.92 Cum	Item No. 4: Providing second class B.B. masonry in with conventional/IS type bricks C.M.1:4 in brick thick wall including mild steel longitudinal reinforcement of 2 bars of 6 mm diameter/2 hoop iron strips 25 mm x 1.6 mm every third course property bent & bounded bounded at ends scaffolding racking out joints watering etc. complete. SSR Sr.No. 893 I No. 27.08 BDG-9	8721.00	cum	1080706.32

<p>17.06 Cum</p>	<p>Item No. 5 : Providing and laying in situ Cement Concrete M -20 of trap/granite/quartzite/ gnesis metal for R.C.C. work in Beams like raft strip foundation, griling & footing of R.C.C. coloumn and steel stanchions etc. including bailing out water formwork, compaction and curing roughning the surface if special finish is to be provided(Excuding rainforcement and structural steel)</p> <p>A) Footing SSR Sr.No. 834 I. No. 25.11 BDF 5</p>	<p>6666.00</p>	<p>Cum</p>	<p>113721.96</p>
<p>22.89 Cum</p>	<p>B) Coloumn SSR Sr.No. 829 I. No. 25.11 BDF 4</p>	<p>12987.00</p>	<p>Cum</p>	<p>297272.43</p>
<p>31.33 Cum</p>	<p>C) Beam SSR Sr.No. 844 I. No. 25.50 BDF 6</p>	<p>11483.00</p>	<p>Cum</p>	<p>359762.39</p>
<p>9.016 M.T.</p>	<p>Item No. 6: Providing and fixing in position TMT-FE-500 bar reinforcement of various diameters for R.C.C. pile caps, footings, foundations, slabs, beams columns, canopies, staircase, newels, chajjas, lintels pardis, copings, fins, arches etc. as per detailed designs, drawings and schedules. including cutting, bending, hooking the bars, binding with wire sortack welding and supporting as required complete. SSR Sr.No. 870 I. No. 26.37 BDF 17</p>	<p>71778.00</p>	<p>M.T.</p>	<p>647150.45</p>
<p>403.12 Sq.m.</p>	<p>Item No. 7: Providing internal cement plaster 20mm thick in single coat in cement mortar 1:4 with out neeru finish to concrete or brick surfaces, in all positions including scaffolding and curing etc.complete. SSR Sr.No. 958 I. No. 32.6 BDL 4</p>	<p>359.00</p>	<p>Sqm</p>	<p>144720.08</p>

<p>593.33 Sq.m.</p>	<p>Item No. 8: Providing sand faced plaster externally in cement mortar using approved screened sand, in all positions including base coat of 15mm thick in cement mortar 1:4 using water proofing compound at 1 Kilogram per cement bag curing the same for notlessthan 2 day sand keeping the surface of the base coat rough to receie the sand faced treatment 6 to 8 mm thick in cement mortar 1:4 finishing the surface by taking out grain sand curing for fourteen days scaffolding etc. complete. SSR Sr.No. 961 I. No. 32.11 BDL 7</p>	<p>599.00</p>	<p>Sqm</p>	<p>355404.67</p>
<p>593.33 Sqm</p>	<p>Item No. 9: Providing and applying white wash new surfaces in two coats including scffolding, preparing the surface etc. SSR Sr.No. 1095 I. No. 36.02 BDP 1</p>	<p>7.00</p>	<p>Sqm</p>	<p>4153.31</p>
<p>593.33 Sq.m</p>	<p>Item No.10 :-Providing applying two coats of water-proof Cement paint of approved manufacture and approved colour to the plastered surfaces Including scaffolding if necessary cleaning and preparing the surfaces, watering for two days etc. complete. SSR Sr.No. 1082 I. No. 32.14</p>	<p>73.00</p>	<p>Sqm</p>	<p>43313.09</p>
<p>48.00 Sqm</p>	<p>Item No.11: Providing and fixing inposition (asper1868/1982) Alluminium sliding window of three tracks with rectangular pipe 95 x 38.10 x 0.90 mm at weight 0.637 Kilogram / Running metre. with window frame bottom track section 92 x 31.75 x 1.30 mm at weight 1.070 Kilogram/ Running metre. Top and side track section 92 x 31.75 x 1.30 mm at weight 0.933 Kilogram/ Running metre. Thes hutter should be of bearing bottom 40 x 18 x 1.25 mm at weight 0.417 Kilogram/ Running metre. Inter locking section 40 x18x1.10 mm at weight 0.469 Kilogram/ Running metre. and hand leand top section 40 x 18 x1.25 mm at weight o.417 Kilogram / Running metre. As per detailed drawings and as directed by Engineer incharge with all necessary Aluminium sections fixture sand fastenings such as roller bearing inylon casting and selflocking catch fitted in vertical section of shutter including 5mm thick plain glass and aluminium mosquitonet shutter with staillesssteel jail with all required screws and nuts etc, complete. With colour Anodising with box SSR Sr.No. 1232 I. No. 39.42 BDT</p>	<p>5471.00</p>	<p>Sqm</p>	<p>262608.00</p>

<p>72.00 Sq.m</p>	<p>Item No.12 :- Providing and fixing steel window of various sizes as per detailed drawing without hotdip zinc coating, without ventilators, including fabricating/ glazing with plain/ obscured glass panels of approved type and quality, iron oxidised fixture sand fastenings, oil painting two coats complete.</p>	<p>4244.00</p>	<p>Sq.m</p>	<p>305568.00</p>
<p>47.60 Sq.m</p>	<p>Item No. 13 : Providing and fixing rolling shutter fabricated from steel laths of minimum thickness 0.9 mm with lock plate of 3.15 mm thickness reinforced with 35 x 35 x 5 mm angle section fitted with sliding bolts and handles for both sides, deep M.S. channel section of depth and thickness not less than 65 mm and 3.15 mm respectively with hold fast arrangements, M.S. Bracket plate 300 x 300 x 3.15 mm minimum size and shape with square bar, suspension shaft of minimum 32 mm diameter, hood cover of M.S. sheet not less than 0.9 mm thickness and of any size at top and safety devices including mechanical operation arrangement consisting of worm gear wheels and worms of high grade cast iron or mild steel and one coat of red lead primer etc. complete. (I.S. 6248-1979) (Without mechanical gear) wheels and worms of high grade cast iron or mild steel and one coat of red lead primer etc. complete. (I.S. 6248-1979) (Without mechanical gear) SSR Sr.No. 1215 I No. 39.24 BDT 55</p>	<p>4310.00</p>	<p>Sq.m</p>	<p>205156.00</p>

475.27 Sq.m	<p>Item No. 14 :-</p> <p>Providing and fixing colour coated Zinc alume(R) AZ150 (min 150 gms /sq.mt. total one achside) profiled sheets forroofing. The feed material is manufactured out of nominal 0.45 mm Base Metal Thickness (BMT) (0.5mmTCT), Histrength steel with min.550 MP ayield strength, metal lichotdipcoated with Aluminium Zinccalloy (55% aluminium 43.4% zinc 1.6% silicon) with COLORBOND (R) steel quality super durable polyester paint coat (with in organicpigment). The paint shall have a total coating thickness of nominal 35um, comprising of nominal 25u mexterior coat on top surface and nominal 10 umrever secoat on backsurface. Profile sheet shall have nom. 950-1050 mm effective cover width and nominal 25-30mm deep rib swith subtle square flutingin the five panatnominal 180-250 mm center-to-center. The end rib shall be designed forantica pillary groove. and returnleg. The feed material should have coil manufacturers product details marked a regular interval. Including fastener swith min. fastened with min.25um Zinc-Tinalloy coated, Hexhead, self-drillingscrew etc. complete. (weight of profile 4.52 Kilogram/Square Metre) SSR Sr.No. 1167 I. No. 38.34 BDR</p>	1095.00	Sq.m.	520420.65
442.61 Sqm	<p>Item No. 15 :</p> <p>Providing and fixing factory made Hydraulically pressed Mechanically vibrated and compacted precastinter locking cement concrete paving blocks 8MM thick in M-40 grade of approved size and shape for City streets, small/ medium market roads, low volume roads, utility cuts on art erial road setc. asspecified and as per IS 15658:2006 including cost of all materials, manufacturing, curing, transportation of block stowork site including l oading, unloading and stacking as directed, laying paving blocks in position over prepared bed of VSI crushed sand of 50 mm thick ness including necessary excavation in all stratas, spreading blindge of fine sand over the prepared bed, compacting blocks by plate vibrator etc. complete. SSR Sr.No. 1038 I. No. 33.53 BDM12</p>	923.00	Sqm	408529.03

<p>15.130 M.T.</p>	<p>Item No.16: Providing, fabricating and erecting at site of work the tubular steel structure (shed) as per standard design and specifications having various span sin between trusses and in multi ples of standard length of baysas specified as per standrd specifications, inclusive of cost of steel tubular trusses, tubular columns purlins, tie runners, foundation bolts, baseplates, nuts and bolts, welding where required etc.as per detailed drawing inclusive of one coat of anticorrosive paint and two coats of oil painting of approved quality and shade etc. complete.Spec. Number : As directed by Engineer-in-charge. SSR Sr.No. 815 I. No. 23.07 BDC</p>	<p>100574.00</p>	<p>Sqm</p>	<p>1521684.62</p>
-------------------------------	------------------------------------------------------------------------------------------------------------------------------------------------------------------------------------------------------------------------------------------------------------------------------------------------------------------------------------------------------------------------------------------------------------------------------------------------------------------------------------------------------------------------------------------------------------------------------------------------------------------------------------------------------------------------------------------------	-------------------------	------------	--------------------------

<p>Item # No.17: for 25000 Ltr. With Smooth roughening with cement slurry and Dr. Fixit crack proof chemical etc. complete</p> <p>Item # No. 18: compound with Fencing wire and both side plastering with Iron steel gate with Gate Lamp etc. complete.</p> <p>Item # No. 19: system for various places for existing the heat air from various warehouse and storeroom, Cold storage room and other activated area.</p> <p>Item # No. 20: make Partition Board for every portion for Office work and administration, Packing, weight Machine and all various units</p>		L.S.	125000.00
		L.S.	450000.00
		L.S.	95000.00
		L.S.	750000.00

Total RS.	8063526.80
-----------	-------------------

Say Rs.	8063527.00
---------	-------------------

Add 2.5 % for Electrification Rs.	201588.18
-----------------------------------	-----------

Add 2.5 % for Sanitation Rs.	201588.18
------------------------------	-----------

Total Rs.	8466703.35
-----------	-------------------

Say Rs.	8466703.00
---------	-------------------

(Rupees Eighty Four Lac Sixty Six Thousand Seven Hundred Three Only)

Gaikwad
Vijay D. Gaikwad
D.C.E. Civil
Consulting Engineer & Contractor
K.M.C. Lic. No. LE/18



Checked and found correct.

VIJAY D. GAIKWAD

Engineers & Contractors

Karad, Dist. Satara

Cell no. 9423868041

VIJAYKUMAR PATIL

B. E. (CIVIL), MIE (INDIA), FIV

CHARTETED ENGINEER

13, Gajanan Nagari, Gorakhpur

Pirwadi, Satara.

Cell no. 9422039823

**Proposed Estimate for Seed Processing Unit for - VL Sons Agro Food Producer Company Ltd. At-
835A, Near Undale High School, Undale, Tal Karad. Dist. Satara.**

Sr. No.	Particulars of items	No.	L	B	H	Q	Remark
1	Excavation for footing						
	C-1	20	1.5	1.65	2	99	
	C-2	2	1.35	1.35	1.5	5.4675	104.47
2	Filling in plinth	1	35.82	11.74	0.9	378.47412	
3	P C C						
	C-1	20	1.5	1.65	0.15	7.425	
	C-2	2	1.35	1.35	0.15	0.54675	
	At plinth level	1	36.28	12.2	0.1	44.2616	52.22
4	B B Masonary						
	Up to P. L.	16	4.2	0.23	0.9	13.9104	
		4	5.65	0.23	0.9	4.6782	
	In superstructure	16	4.2	0.23	5.1	78.8256	
		4	5.65	0.23	5.1	26.5098	123.92
	Did. For shutter & Ventilator						
	RS-1	1	5	0.23	3	3.45	
	RS-2	3	4.2	0.23	2.4	6.9552	
	V-1	16	4.2	0.23	0.95	14.6832	25.08
							151.06
5	Cement concrete M-20						
	A- Footing						
	C-1	20	1.35	1.5	0.4	16.2	
	C-2	2	1.2	1.2	0.3	0.864	
							17.06
	B- Column						

	C-1	20	0.3	0.45	8.35	22.545	
	C-2	2	0.3	0.3	1.95	0.351	22.89
	C- Beam						
	GB-1	4	5.65	0.23	0.53	2.75494	
	GB-2	16	4.2	0.3	0.45	9.072	
	PL-3	2	3	0.23	0.38	0.5244	
	PL-4	2	4.17	0.23	0.38	0.728916	
	TB-1	8	5.65	0.23	0.45	4.6782	
	TB-2	32	4.2	0.23	0.45	13.9104	31.66
6	Steel TMT-FE-500 17.06+22.89+31.66=97.56/100x78.5=					7.66MT	
7	plaster Int.	2	11.74	1	6	140.88	
		2	35.82	1	6	429.84	570.72
	Did. For shutter & Window						
	RS-1	2	5	1	3.5	35	
	RS-2	1	4.2	1	3	12.6	
	W-1	20	2	1	1.8	72	
	W-2	16	2	1	1.5	48	167.6
	Total qty.						403.12
8	Plaster Ext.	2	12.2	1	6.9	168.36	
		2	36.28	1	6.9	500.664	
	Column offset	36	0.37	1	6.9	91.908	760.93
	Did. For shutter & ventilator						167.6
	Total Qty.						593.33
9	White wash Same as Ext. Plaster					593.33	
10	Cement paint Same as whitewash					593.33	
11	Sliding Windows	16	2	1	1.5	48	
12	Steel Window	20	2	1	1.8	72	

13	Rolling Shutter						
	Rs-1	2	5	1	3.5	35	
	Rs-2	1	4.2	1	3	12.6	47.6
14	Roofing	1	36.28	1	13.1	475.27	
15	Paving blocks	1	12.2	1	36.28	442.61	
16	Structural steel						

Beikw
Vijay D. Gaikwad
 D.C.E. Civil
 Consulting Engineer & Contractor
 K.M.C. Lic. No. LE/18

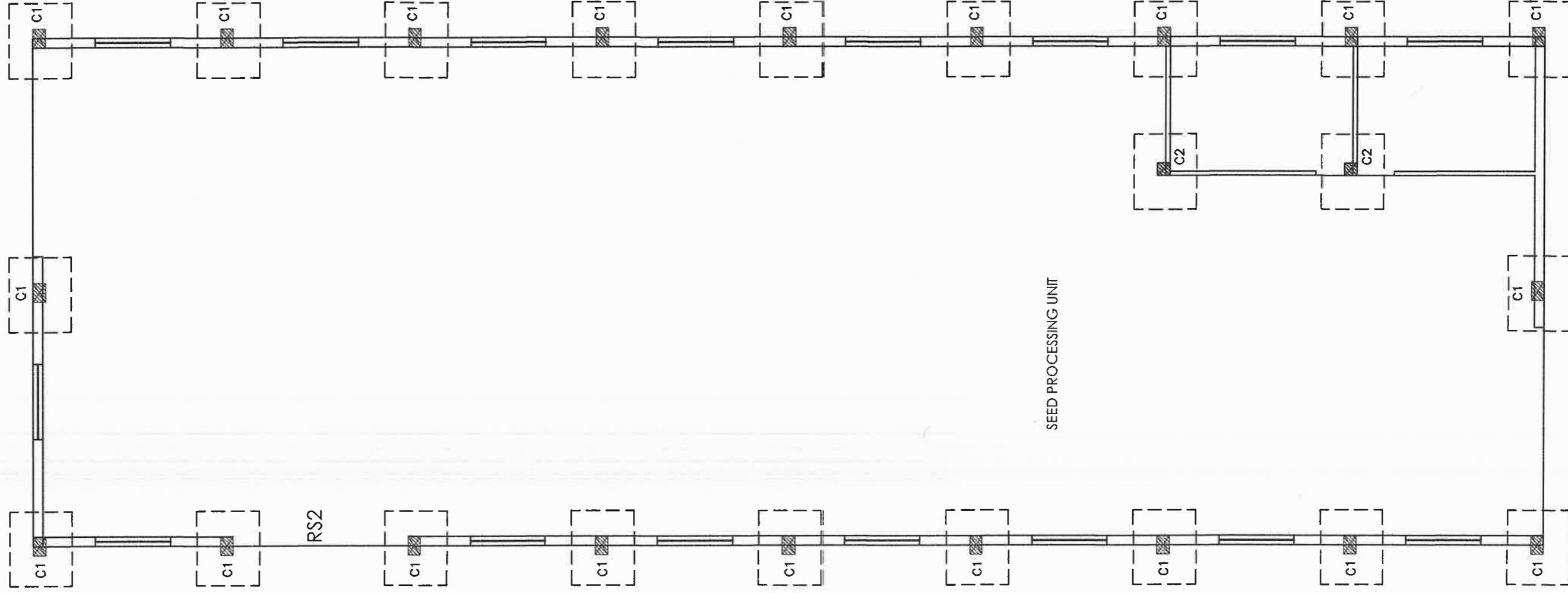


Beikw

Checked and found correct.

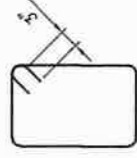
SCHEDULE OF FOOTINGS AND COLUMNS

COLUMN NOS.	FOOTING		G. F. LVL. COLUMNS		STIRRUPS
	SIZE Short x Long side	DEPTH D	COL. SIZE	MAIN STEEL BAR NOS. - DIA.	
C1	1350 x 1500	400	300 x 450	6-T16+4-T12	T8 @ 125c/c
C2	1200 x 1200	300	300 x 300	8 - T 12	T8 @ 125c/c

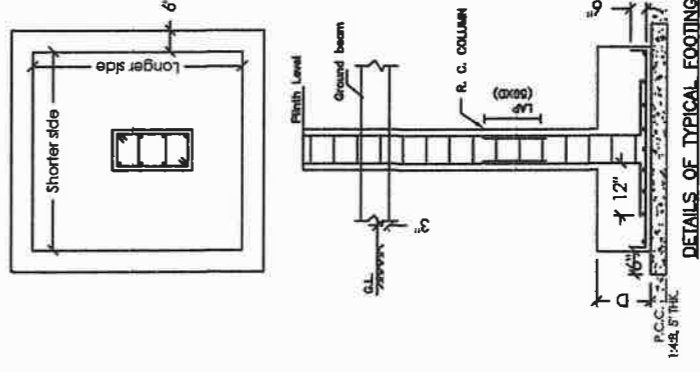


LINK DETAILS

COLUMN SIZE NO OF BARS	300 X 450 6-T16 + 4-T12	300 X 300 8-T12



TYPICAL STIRRUP DETAILS
(PROVIDE 135° HOOK WITH 3" EXTENSION)



SEED PROCESSING UNIT

Ajit S. Patil
Ajit S. Patil
Structural Consultant

TECHNICAL SPECIFICATIONS-
1. BASIC REFERENCE CODE - I.S. 456-2000 FOR RCC & PCC
- I.S. 800 - 2008 FOR STRUCTURAL STEEL
- I.S. 10262 FOR CONCRETE MIX DESIGN
- I.S. 4926 FOR READY MIX CONCRETE
2. CEMENT SHALL CONFIRM TO PPC - IS 1489 PCC - IS 455
3. FLY ASH SHALL CONFIRM TO IS 3812
4. GGBS SHALL CONFIRM TO IS 12089
5. STRUCTURAL STEEL SHALL CONFIRM TO IS 2062 (GRADE-A)
6. T - REPRESENTS HIGH YIELD STRENGTH DEFORMED BARS (H.Y.S.D.) SHALL CONFIRM TO IS 1786-1985
7. ALL CONSTRUCTION MATERIAL STRICTLY TESTED AS PER RELEVANT CODES BEFORE USE
8. EXPOSURE CONDITION - MEDIUM

GENERAL NOTES-
1. ALL DIMENSIONS ARE IN MM. ONLY WRITTEN DIMENSIONS SHOULD BE FOLLOWED. DO NOT SCALE THE DRAWING.
2. ALL DIMENSIONS, LEVELS & CUTOUTS SHALL BE CHECKED & CORRECTED WITH ARCHITECTURAL PLANS
3. MIX CONCRETE SHALL BE M20
4. CONCRETE SHALL BE WEIGH/VOLUME BATCHED, MACHINE MIXED & MECHANICALLY VIBRATED TO ASSURE FULL COMPACTION.
5. H. Y. S. D. BARS SHALL BE Fe - 500 (TESTED) FOR EXECUTION OF WORK.
6. ONLY 'VALID FOR CONSTRUCTION' DRG. SHALL BE USED
7. ALL THE R.C.C./STRUCTURAL WORK SHALL BE EXECUTED STRICTLY UNDER COMPETENT TECHNICAL SUPERVISION SEPARATELY PROVIDED BY THE OWNER
8. CLEAR COVER TO STEEL -
COLUMNS & SHEAR WALLS - 1.5' / 40 mm
FOOTINGS - Z' / 50 mm (BOTTOM) Z' / 50mm - (SIDE & TOP)
BEAMS - 1.57/35 mm (BOTTOM) 1' / 25mm - (SIDE & TOP)
SLAB - 1' / 25 mm (BOTTOM & TOP)
9. LAPS SHALL BE PROVIDED ONLY AT APPROVED LOCATIONS & SHOULD BE STAGGERED.
LAP LENGTH - 40 x BAR DIA.
10. FOR ALL COLUMNS HAVING EIGHT OR MORE BARS, MASTER RING TO BE PROVIDED.
11. ANY DISCREPANCY FOUND BETWEEN STRUCTURAL & ARCHITECTURAL DRAWING, SHOULD BE BROUGHT TO OUR NOTICE BEFORE THE WORK IS EXECUTED.
12. APPLICATION OF OIL TO THE SHUTTERING IS NOT ALLOWED.
13. QUALITY WORK PROCEDURES & SAFETY AT SITE ARE THE RESPONSIBILITIES SOLELY LIE WITH CONTRACTOR / BUILDER / OWNER. WE SHALL NOT BE RESPONSIBLE FOR POOR QUALITY OF STEEL CONCRETE, CURING, SHUTTERING OR INCORRECT CONSTRUCTION PROCEDURE
14. REFER ARCHITECTURAL DRAWINGS WHERE-EVER NECESSARY.
15. S. B. C. OF SOIL IS ASSUMED 400 KN / SQM (TO BE ACERTAINED).
16. DESIGN IS VALID FOR GROUND + ONE / TWO FLOORS ONLY (AS PER ARCHITECTURAL DRAWING).
17. DEPTH OF EXCAVATION 1.2 M.

REVISION	DATE	DETAILS	REMARKS

PURPOSE OF ISSUE :-
FOR MUNICIPAL SUBMISSION
ADVANCE COPY
FOR SHUTTERING
FOR CONSTRUCTION
FOR TENDER

REV. NO.	RO	DATE

DRN BY DESIGN BY CHKD BY RECHKD BY SCALE
VINOD AJIT PATIL AJIT PATIL AJIT PATIL NTS 22.02.23

CLIENT : VL & SONS AGRO FOOD PRODUCER COMPANY LTD.
ARCHITECT/ENGINEER : MR. VIJAY GAIKWAD
PROJECT :- PROPOSED PROCESSING UNIT AT UNDALE, TAL-KARAD DIST-SATARA, MAHARASHTRA
SHEET TITLE :- COLUMN & FOUNDATION DETAILS
DWG NO :- APS/361/23-02-2023/D-01_01

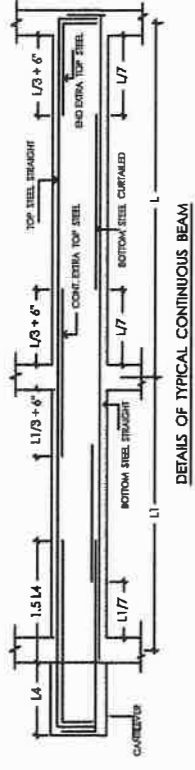
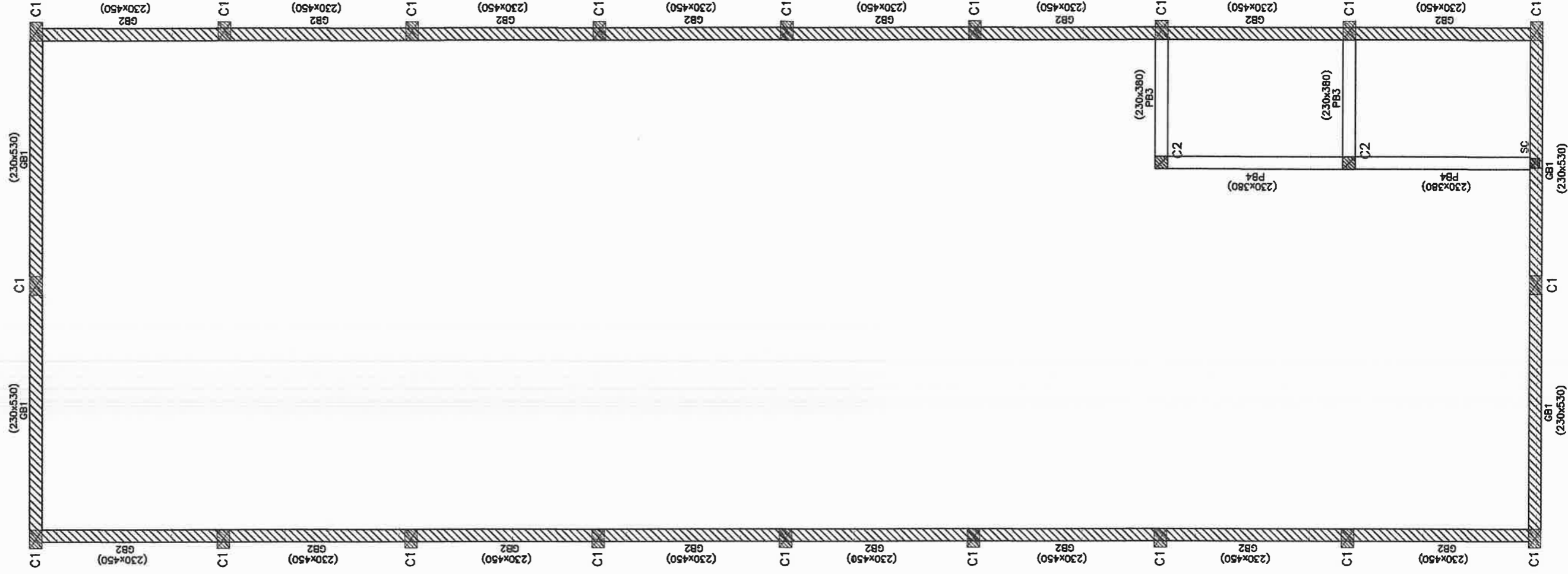
KEY PLAN FOR FOOTINGS & COLUMNS.

SEED PROCESSING UNIT PLAN

AJIT. S. PATIL
M. E. (Structures)
Structural Consultant,
KOLHAPUR NAKA, KARAD.
E mail - ajitpatil@gmail.com

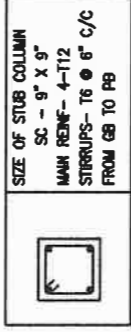
DETAILS OF GROUND & PLINTH BEAMS :

BEAM No.	SIZE	BOTTOM STEEL		TOP STEEL	EXTRA TOP STEEL	STIRRUPS (D-Beam depth)		REMARK
		STRAIGHT	CURTAL L/7	STRAIGHT		CONT. L/3	END.L/3	
GB1	230 x 530	4 - T 16	-	2 - T 10	2 - T 16	2 - T 12	T8 @ 100c/c	T8 @ 200c/c
GB2	300 x 450	2 - T 16	-	2 - T 10	2 - T 12	2 - T 12	T8 @ 100c/c	T8 @ 200c/c
PB3	230 x 380	2-T12+1-T10	-	2 - T 10	1 - T 10	1 - T 10	T8 @ 100c/c	T8 @ 200c/c
PB4	230 x 380	3 - T 12	-	2 - T 10	1 - T 12	1 - T 12	T8 @ 100c/c	T8 @ 200c/c



DETAILS OF TYPICAL CONTINUOUS BEAM

DETAILS OF STUB COLUMN



TECHNICAL SPECIFICATIONS-
 1. BASIC REFERENCE CODE - I.S. 456: 2000 FOR RCC & PCC
 - I.S. 800 - 2008 FOR STRUCTURAL STEEL
 - I.S. 10262 FOR CONCRETE MIX DESIGN
 - I.S. 4926 FOR READY MIX CONCRETE
 2. CEMENT SHALL CONFIRM TO PPC - IS 1489 PSC - IS 455
 3. FLY ASH SHALL CONFIRM TO IS 3812
 4. @888 SHALL CONFIRM TO IS 12089
 5. STRUCTURAL STEEL SHALL CONFIRM TO IS 2062 (GRADE-A)
 6. T - REPRESENTS HIGH YIELD STRENGTH DEFORMED BARS (H.Y.S.D.) SHALL CONFIRM TO IS 1786-1985
 7. ALL CONSTRUCTION MATERIAL STRICTLY TESTED AS PER RELEVANT CODES BEFORE USE
 8. EXPOSURE CONDITION - MEDIUM

GENERAL NOTES-
 1. ALL DIMENSIONS ARE IN MM. ONLY WRITTEN DIMENSIONS SHOULD BE FOLLOWED. DO NOT SCALE THE DRAWING.
 2. ALL DIMENSIONS, LEVELS & CUTOUTS SHALL BE CHECKED & CORRECTED WITH ARCHITECTURAL PLANS
 3. MIX CONCRETE SHALL BE M20
 4. CONCRETE SHALL BE WEIGHT/VOLUME BATCHED, MACHINE MIXED & MECHANICALLY VIBRATED TO ASSURE FULL COMPACTION.
 5. H. Y. S. D. BARS SHALL BE Fe - 500 (TESTED)
 6. ONLY 'VALID FOR CONSTRUCTION' DRG. SHALL BE USED FOR EXECUTION OF WORK
 7. ALL THE R.C.C./STRUCTURAL WORK SHALL BE EXECUTED STRICTLY UNDER COMPETENT TECHNICAL SUPERVISION SEPARATELY PROVIDED BY THE OWNER
 8. CLEAR COVER TO STEEL -
 COLUMNS & SHEAR WALLS - 1.5" / 40 mm
 FOOTINGS - 2" / 50 mm (BOTTOM) 2" / 50mm - (SIDE & TOP)
 BEAMS - 1.5"/35 mm (BOTTOM) 1"/25mm - (SIDE & TOP)
 SLAB - 1"/25 mm (BOTTOM & TOP)
 9. LAPS SHALL BE PROVIDED ONLY AT APPROVED LOCATIONS & SHOULD BE STAGGERED.
 LAP LENGTH - 40 X BAR DIA.
 10. FOR ALL COLUMNS HAVING EIGHT OR MORE BARS, MASTER RING TO BE PROVIDED.
 11. ANY DISCREPANCY FOUND BETWEEN STRUCTURAL & ARCHITECTURAL DRAWING, SHOULD BE BROUGHT TO OUR NOTICE BEFORE THE WORK IS EXECUTED.
 12. APPLICATION OF OIL TO THE SHUTTERING IS NOT ALLOWED.
 13. QUALITY WORK PROCEDURES & SAFETY AT SITE ARE THE RESPONSIBILITIES SOLELY LIE WITH CONTRACTOR / BUILDER / OWNER. WE SHALL NOT BE RESPONSIBLE FOR POOR QUALITY OF STEEL CONCRETE, CURING, SHUTTERING OR INCORRECT CONSTRUCTION PROCEDURE.
 14. REFER ARCHITECTURAL DRAWINGS WHERE EVER NECESSARY.

REVISION	DATE	DETAILS	REMARKS

PURPOSE OF ISSUE :-
 FOR MUNICIPAL SUBMISSION
 ADVANCE COPY
 FOR SHUTTERING
 FOR TENDER

REV. NO: R0
 22.02.2023

DRN BY	DESIGN BY	CHKD BY	RECHKD BY	SCALE	DATE

VINOD	AJIT PATIL	AJIT PATIL	AJIT PATIL	NTS	22.02.23

CLIENT : VL & SONS AGRO FOOD PRODUCER COMPANY LTD.
 ARCHITECT/ENGINEER : MR. VIJAY GAIKWAD

PROJECT :- PROPOSED PROCESSING UNIT AT UNDALE, TAL-KARAD DIST- SATARA, MAHARASHTRA

SHEET TITLE :- LAYOUT & DETAILS OF GROUND/PLINTH BEAMS

DWG NO :- APS/361/23-02-2023/D-02_01

Ajit S. Patil
Ajit S. Patil
 Structural Consultant

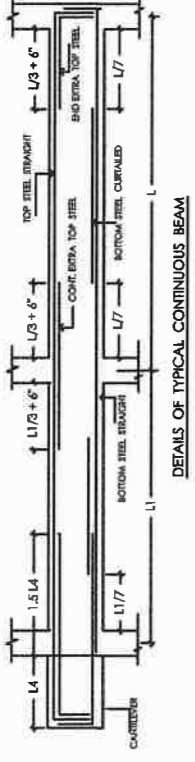
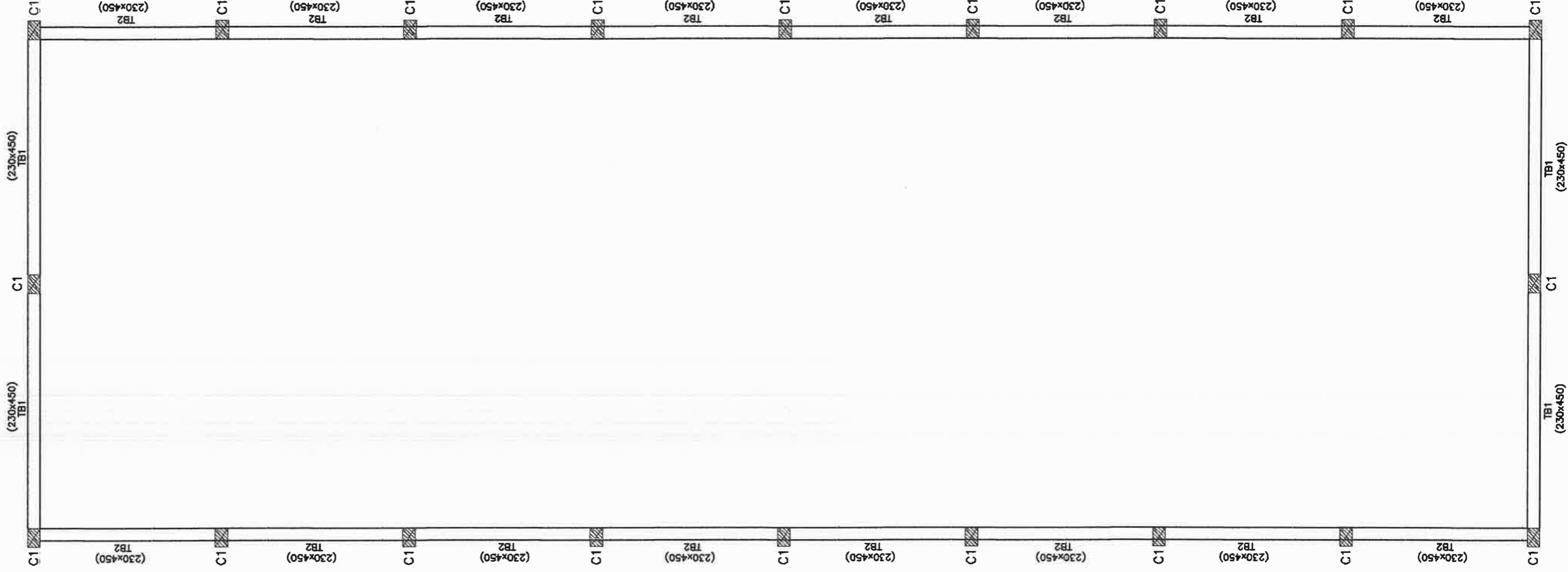
AJIT. S. PATIL
 M. E. (Structures)
 Structural Consultant,
 KOLHAPUR NAKA, KARAD.
 E mail - ajitpatilss@gmail.com

AJIT PATIL & ASSOCIATES

KEY PLAN FOR GROUND BEAMS & PLINTH BEAMS

DETAILS OF TIE BEAMS :

BEAM No.	SIZE	BOTTOM STEEL		TOP STEEL		EXTRA TOP STEEL		STIRRUPS (D-Beam depth)		
		STRAIGHT	CURTAL L/7	STRAIGHT	END.L/3	CONT. L/3	END.L/3	NEAR SUPPORT 2XD	MIDDLE	REMARK
TB1	230 x 450	4 - T 16	-	2 - T 12	2 - T 16	2 - T 12	2 - T 16	T8 @ 100c/c	T8 @ 200c/c	
TB2	230 x 450	2 - T 16	-	2 - T 12	2 - T 12	2 - T 12	2 - T 12	T8 @ 100c/c	T8 @ 200c/c	



DETAILS OF TYPICAL CONTINUOUS BEAM

TECHNICAL SPECIFICATIONS-
 1. BASIC REFERENCE CODE - I.S. 456: 2000 FOR RCC & PCC
 - I.S. 800 - 2008 FOR STRUCTURAL STEEL
 - I.S. 10262 FOR CONCRETE MIX DESIGN
 - I.S. 4926 FOR READY MIX CONCRETE
 2. CEMENT SHALL CONFIRM TO PPC - IS 1489 PCC - IS 455
 3. FLY ASH SHALL CONFIRM TO IS 3812
 4. GGBS SHALL CONFIRM TO IS 12089
 5. STRUCTURAL STEEL SHALL CONFIRM TO IS 2062 (GRADE-A)
 6. T - REPRESENTS HIGH YIELD STRENGTH DEFORMED BARS (H.Y.S.D.) SHALL CONFIRM TO IS 1786-1985
 7. ALL CONSTRUCTION MATERIAL STRICTLY TESTED AS PER RELEVANT CODES BEFORE USE
 8. EXPOSURE CONDITION - MEDIUM

GENERAL NOTES-
 1. ALL DIMENSIONS ARE IN MM. ONLY WRITTEN DIMENSIONS SHOULD BE FOLLOWED. DO NOT SCALE THE DRAWING.
 2. ALL DIMENSIONS, LEVELS & CUTOUTS SHALL BE CHECKED & CORRECTED WITH ARCHITECTURAL PLANS
 3. MIX CONCRETE SHALL BE M20
 4. CONCRETE SHALL BE WEIGH/VOLUME BATCHED, MACHINE MIXED & MECHANICALLY VIBRATED TO ASSURE FULL COMPACTION.
 5. H. Y. S. D. BARS SHALL BE Fe - 500 (TESTED)
 6. ONLY 'VALID FOR CONSTRUCTION' DRG. SHALL BE USED FOR EXECUTION OF WORK.
 7. ALL THE R.C.C./STRUCTURAL WORK SHALL BE EXECUTED STRICTLY UNDER COMPETENT TECHNICAL SUPERVISION SEPARATELY PROVIDED BY THE OWNER
 8. CLEAR COVER TO STEEL -
 COLUMNS & SHEAR WALLS - 1.5' / 40 mm
 FOOTINGS - 2' / 50 mm (BOTTOM) 2' / 50mm - (SIDE & TOP)
 BEAMS - 1.5' / 35 mm (BOTTOM) 1' / 25mm - (SIDE & TOP)
 SLAB - 1' / 25 mm (BOTTOM & TOP)
 9. LAPS SHALL BE PROVIDED ONLY AT APPROVED LOCATIONS & SHOULD BE STAGGERED.
 LAP LENGTH - 40 X BAR DIA.
 10. FOR ALL COLUMNS HAVING EIGHT OR MORE BARS, MASTER RING TO BE PROVIDED.
 11. ANY DISCREPANCY FOUND BETWEEN STRUCTURAL & ARCHITECTURAL DRAWING, SHOULD BE BROUGHT TO OUR NOTICE BEFORE THE WORK IS EXECUTED.
 12. APPLICATION OF OIL TO THE SHUTTERING IS NOT ALLOWED.
 13. QUALITY WORK PROCEDURES & SAFETY AT SITE ARE THE RESPONSIBILITIES SOLELY LIE WITH CONTRACTOR / BUILDER / OWNER. WE SHALL NOT BE RESPONSIBLE FOR POOR QUALITY OF STEEL CONCRETE, CURING, SHUTTERING OR INCORRECT CONSTRUCTION PROCEDURE
 14. REFER ARCHITECTURAL DRAWINGS WHERE EVER NECESSARY.

REVISION	DATE	DETAILS	REMARKS

PURPOSE OF ISSUE :-
 FOR MUNICIPAL SUBMISSION
 ADVANCE COPY
 FOR SHUTTERING
 FOR CONSTRUCTION
 FOR TENDER

REV NO.:	
RO	
DATE	22.02.2023

DRN BY	DESIGN BY	CHKD BY	RECHKD BY	SCALE	DATE
	AJIT PATIL	AJIT PATIL	AJIT PATIL	NTS	22.02.23

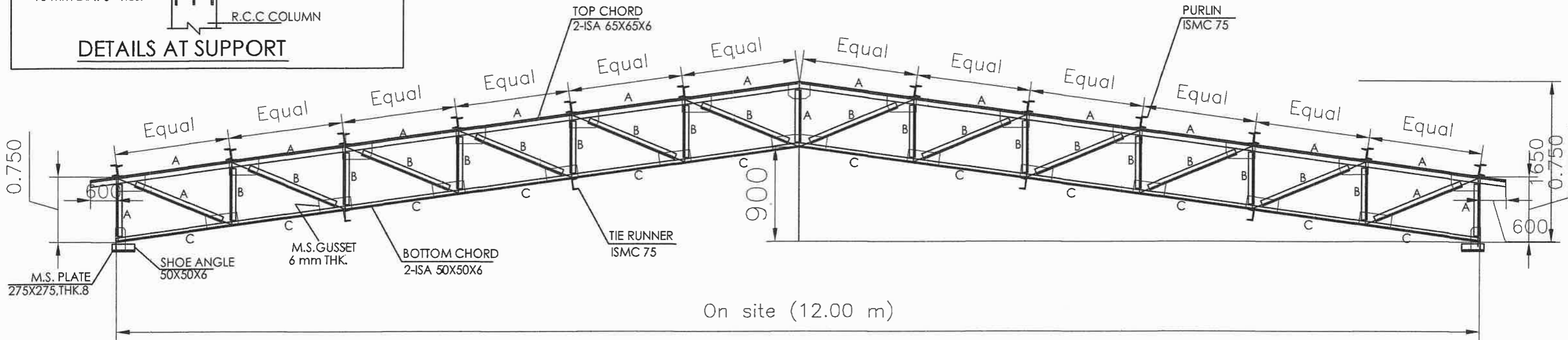
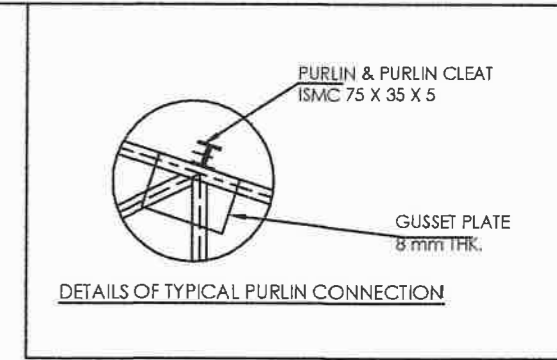
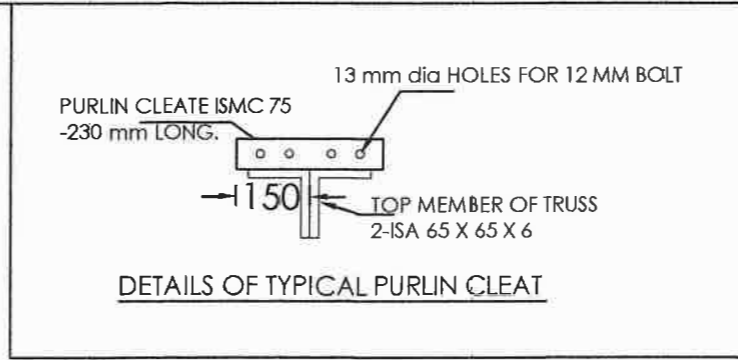
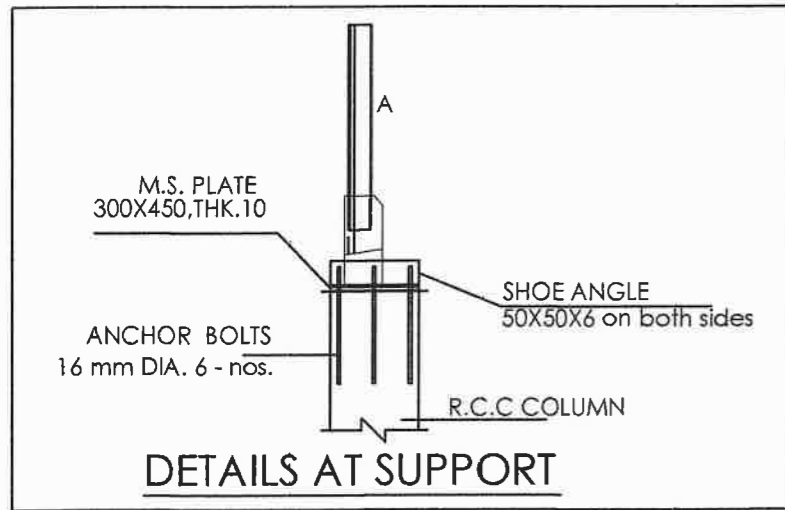
CLIENT : VI & SONS AGRO FOOD PRODUCER COMPANY LTD.
 ARCHITECT/ENGINEER : MR. VIJAY GAIKWAD

Ajit S. Patil
Ajit S. Patil
 Structural Consultant

PROJECT :- PROPOSED PROCESSING UNIT
 AT UNDALE, TAL-KARAD
 DIST- SATARA, MAHARASHTRA
 SHEET TITLE :- LAYOUT & DETAILS OF TIE BEAMS
 DWG NO :- APS/361/23-02-2023/D-02_01

AJIT. S. PATIL
 M. E. (Structures)
 Structural Consultant,
 KOLHAPUR NAKA, KARAD.
 E mail - ajitpatilss@gmail.com

KEY PLAN FOR TIE BEAM
 AT 3.0 m AND 6.0 m LEVEL




DETAILS OF TRUSS TR-1

MEMBER	SECTION
A	ISA 65 X 65 X 6 - 2 NOS.
B	ISA 50 X 50 X 6 - 1 NOS.
C	ISA 50 X 50 X 6 - 2 NOS.
WIND BRACING - ISA 75X75X6	

DESIGN DATA: TRUSS SPACING - 4.2 M C/C
 COLUMN HEIGHT - 6.0 M.
 ROOFING - PRE-COATED SHEET

Ajit S. Patil
Ajit S. Patil
 Structural Consultant

- NOTES:
1. BASIC DESIGN CODE I. S. 800
 2. ALL WELDS ARE 6 mm FILLET ALL AROUND.
 3. MIN WELD LENGTH 200 mm .DIMENSIONS OF CONNECTION PLATES TO BE FINALIZED ACCORDINGLY.
 4. SPAN & RISE OF TRUSS TO MEASURED ACTUALLY ON SITE BEFORE FABRICATION SO AS TO MATCH WITH EXISTING CENTER TO CENTER DISTANCES BETWEEN COLUMNS.
 5. ALL DIMENSIONS ARE IN MILIMETERS.

CLIENT : VL & SONS AGRO FOOD PRODUCER COMPANY LTD.	Engineer - MR. VIJAY GAIKWAD	DETAILS OF ROOF TRUSS FOR WARE HOUSE , AT. - UNDALE, TAL - KARAD, DIST- SATARA	 AJIT. S. PATIL M. E. (Structures) Structural Consultant, MALKAPUR, KARAD. E mail - ajitpatil55@gmail.com	DRG. NO. truss / 01. DATE 22/02/2023
----------------------------------------------------------	---------------------------------	-----------------------------------------------------------------------------------	-------------------------------------------------------------------------------------------------------------------------------------------------------------------------------------------------------------------	-----------------------------------------------